

BUTTERFLY VALVE DUPLEX 500

with seat in ductile cast iron

DN 150 - 1100 PN10/16/25

04.100



Product description

- Butterfly valve series DUPLEX 500 for drinking water and neutral liquids
- Service temperature from 0°C (excluding frost) to 70°C

Standards

- Designed according to EN 1074 parte 1 & 2 and EN 593
- Flange drilling to EN 1092-2 PN10/16/25
- Face-to-face according to EN 558 table 2 series 14

Tests

All valves are individually hydrostatically tested according to EN 1074-1/2 and EN 12266:

- Seal 1.1 x PN (in bar); Body: 1.5 x PN (in bar)

Corrosion protection

- Epoxy powder coating RAL 5005
- Applied internal and external with a minimum coating thickness of 250 µm
- Potable water approved epoxy coating, fusion bonded according to DIN 3476-1, EN 14901 and GSK approved

Approvals

- Certified according to EN 1074-1/2: AENOR Certificate B18/000004
- GSK Epoxy Coating Certificate GSK-ID:1247 (RAL-GZ 662)

Features

- Isolation and flow regulation valve approved for drinking water
- Double eccentricity valve and bidirectional sealing allowing a perfect seal on both flow directions
- Body with integrated seat in ductile cast iron EN-GJS-500-7
- Shafts in stainless steel AISI 304 bronze covering
- Easy O-rings replacement
- Inovator shutter stability system which impedes its transversal displacement thus guaranteeing a permanent sealing
- Equipped with gearbox IP68 correctly adjusted in the factory, in the opening and closing positions, which guarantee its correct functioning
- Gearbox with worm-gear which blocks the shutter in any position, thus impeding that the impact of the flow changes its position
- On request the possibility of obturator sealing in NBR/SBR, shafts in stainless steel AISI 316L and gearbox with limit switches.



Fucoli Somepal
FUNDAÇÃO DE FERRO, S. A.

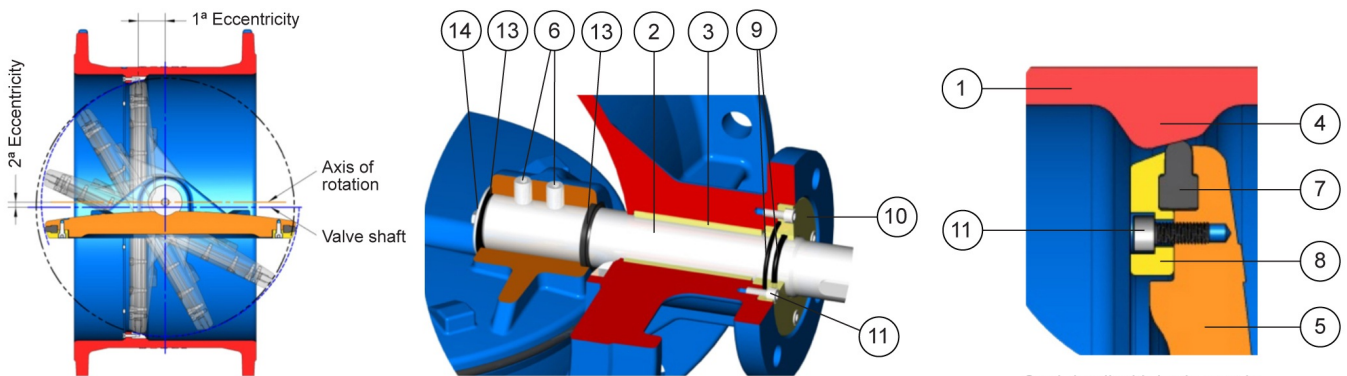
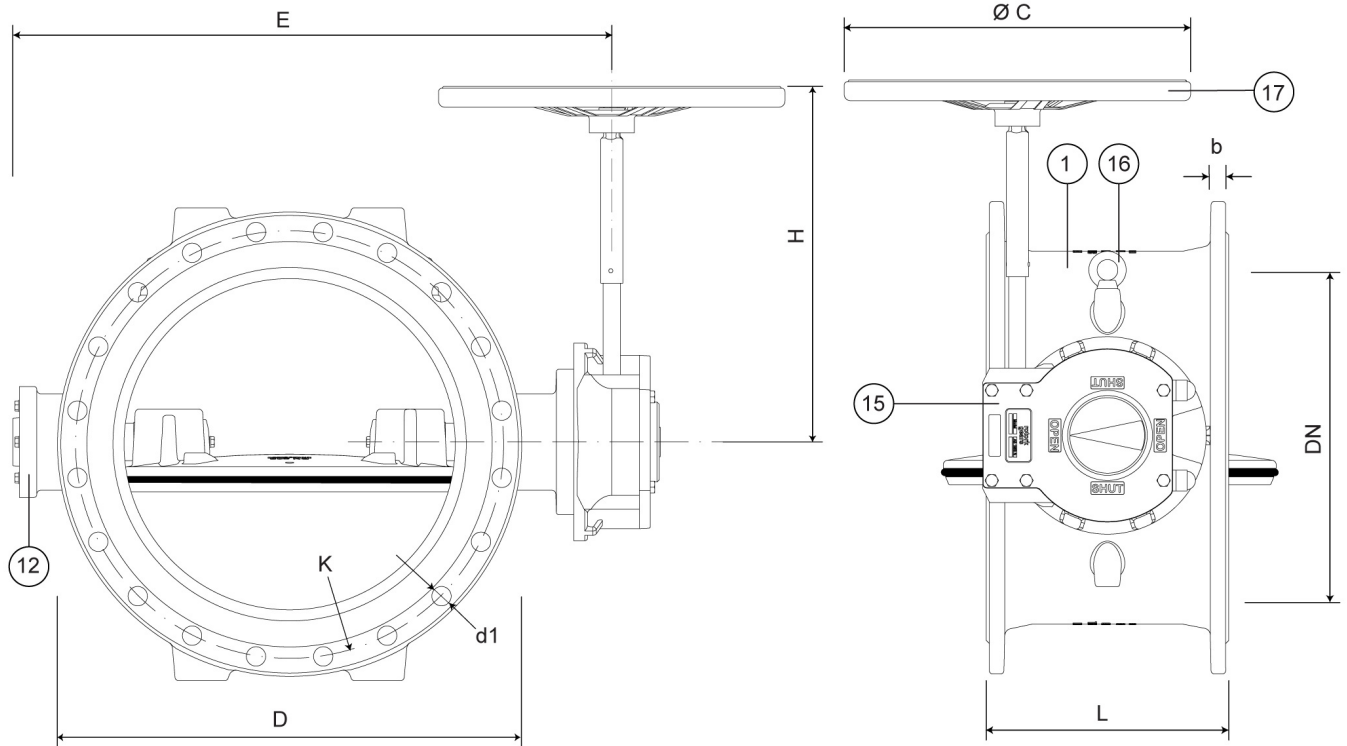
Visit our website at www.fucoli-somepal.pt

Head office: Estrada de Coselhas, 3000-125 Coimbra – Portugal | Tel.: (+351) 239 490100 | Fax: (+351) 239 490198

Branch office: Rua de Aveiro 50, 3050-420 Pampilhosa – Portugal | Tel.: (+351) 239 490100 | Fax: (+351) 231 949292 | comercial@fucoli-somepal.pt

BUTTERFLY VALVE DUPLEX 500
with seat in ductile cast iron
DN 150 - 1100 PN10/16/25

04.100



Seal detail with body seat in ductile cast iron EN-GJS-500

Component list

pos.	components	material	standard
1	Body	Ductile iron EN-GJS-500-7	EN 1563
2	Shafts	Stainless steel AISI 304	EN 10088 - 1
3	Shafts bushing	Bronze CuSn ₇ Zn ₄ Pb ₇	EN 1982
4	Body seat	Ductile iron EN-GJS-500-7	EN 1563
5	Obturator	Ductile iron EN-GJS-500-7	EN 1563
6	Stud	Stainless steel A2	EN 10088 - 1
7	Obturator sealing	Elastomer EPDM	EN 681 - 1
8	Seal tightening ring	Ductile iron EN-GJS-500-7	EN 1563
9	O-rings	Elastomer EPDM	EN 681 - 1
10	Locking ring O-ring	Bronze CuSn ₇ Zn ₄ Pb ₇	EN 1982
11	Bolts	Stainless steel A2	EN 10088 - 1
12	Side bonnet	Ductile iron EN-GJS-500-7	EN 1563
13	Shafts sealing	Elastomer EPDM	EN 681 - 1
14	Shafts washer	Stainless steel AISI 304	EN 10088 - 1
15	Gearbox	-	-
16	Lifting eyes	Steel zinc plated	-
17	Handwheel	Printed steel ST W24	10305 - 3

continued on next page

BUTTERFLY VALVE DUPLEX 500

with seat in ductile cast iron

DN 150 - 1100 PN10/16/25

04.100



continued from previous page

Butterfly valve Duplex 500 with Auma IP68 (Motorizable)



Reference and dimensions

DN	PN	code	D mm	L mm	E mm	H mm	K mm	n° x d1 mm	b mm	ISO flange for actuator	Ø C mm	Kg approx.
150	10/16	10770010GSVOL	285	210	390	294	240	8 x 23	19	F10	200	-
150	25	10772010GSVOL	300	210	390	294	250	8 x 28	20	F10	200	-
200	10	10770020GSVOL	340	230	445	304	295	8 x 23	20	F10	200	-
200	16	10771020GSVOL	340	230	445	304	295	12 x 23	20	F10	200	-
200	25	10772020GSVOL	360	230	445	304	310	12 x 28	22	F10	250	-
250	10	10770030GSVOL	400	250	525	380	350	12 x 23	22	F10	250	-
250	16	10771030GSVOL	400	250	525	380	355	12 x 28	22	F10	250	-
250	25	10772030GSVOL	425	250	525	380	370	12 x 31	24.5	F10	250	-
300	10	10770040GSVOL	455	270	576	380	400	12 x 23	24.5	F10	250	-
300	16	10771040GSVOL	455	270	576	380	410	12 x 28	24.5	F10	250	-
300	25	10772040GSVOL	485	270	576	380	430	16 x 31	27.5	F10	300	-
350	10	10770050GSVOL	505	290	640	441	460	16 x 23	24.5	F10	300	-
350	16	10771050GSVOL	520	290	640	441	470	16 x 28	26.5	F10	300	-
350	25	10772050GSVOL	555	290	640	441	490	16 x 34	30	F10	300	-
400	10	10770060GSVOL	565	310	731	441	515	16 x 28	24.5	F10	300	-
400	16	10771060GSVOL	580	310	731	441	525	16 x 31	28	F10	300	-
400	25	10772060GSVOL	620	310	731	441	550	16 x 37	32	F10	300	-
450	10	10770070GSVOL	615	330	813	555	565	20 x 28	25.5	F10	300	-
450	16	10771070GSVOL	640	330	813	555	585	20 x 31	30	F10	300	-
450	25	10772070GSVOL	670	330	813	555	600	20 x 37	34.5	F10	300	-
500	10	10770080GSVOL	670	350	861	555	620	20 x 28	26.5	F10	300	-
500	16	10771080GSVOL	715	350	861	555	650	20 x 34	31.5	F10	300	-
500	25	10772080GSVOL	730	350	861	555	660	20 x 37	36.5	F10	300	-
600	10	10770100GSVOL	780	390	985	610	725	20 x 31	30	F10	300	-
600	16	10771100GSVOL	840	390	985	610	770	20 x 37	36	F10	300	-
600	25	10772100GSVOL	845	390	985	610	770	20 x 41	42	F10	300	-
700	10	10770120GSVOL	895	430	1095	660	840	24 x 31	32.5	F10	300	-
700	16	10771120GSVOL	910	430	1095	660	840	24 x 37	39.5	F10	300	-
700	25	10772120GSVOL	960	430	1095	660	875	24 x 44	46.5	F10	300	-
800	10	10770140GSVOL	1015	470	1195	660	950	24 x 34	35	F10	300	-
800	16	10771140GSVOL	1025	470	1195	660	950	24 x 41	43	F10	300	-
800	25	10772140GSVOL	1085	470	1195	660	990	24 x 50	51	F10	300	-
900	10	10770160GSVOL	1115	510	1340	660	1050	28 x 34	37.5	F10	300	-
900	16	10771160GSVOL	1125	510	1340	660	1050	28 x 41	46.5	F10	300	-
900	25	10772160GSVOL	1185	510	1340	660	1090	28 x 50	55.5	F10	500	-
1000	10	10770180GSVOL	1230	550	1495	670	1160	28 x 37	40	F10	300	-
1000	16	10771180GSVOL	1255	550	1495	670	1170	28 x 44	50	F10	300	-
1000	25	10772180GSVOL	1320	550	1495	670	1210	28 x 57	60	F14	500	-
1100	10	10770200GSVOL	1340	590	1613	700	1270	32 x 37	42.5	F10	300	-
1100	16	10771200GSVOL	1355	590	1613	700	1270	32 x 44	53.5	F14	300	-



Fucoli Somepal
FUNDIÇÃO DE FERRO, S. R. L.

Visit our website at www.fucoli-somepal.pt

Head office: Estrada de Coselhas, 3000-125 Coimbra – Portugal | Tel.: (+351) 239 490100 | Fax: (+351) 239 490198

Branch office: Rua de Aveiro 50, 3050-420 Pampilhosa – Portugal | Tel.: (+351) 239 490100 | Fax: (+351) 231 949292 | comercial@fucoli-somepal.pt



100% MADE IN EUROPE